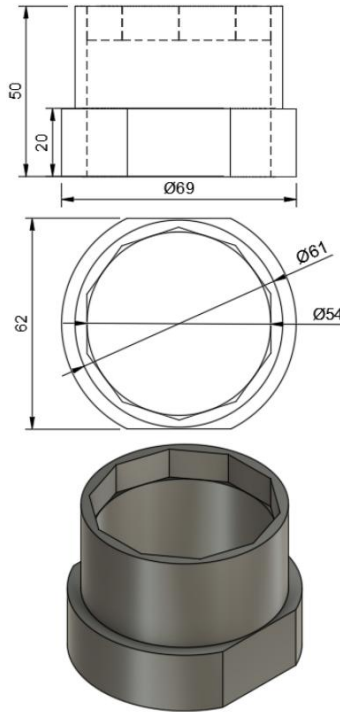




**Tool for demantling bearing MERCEDES Part No.TLS20241**



Application
Mercedes-Benz Sprinter 907 2018-

**FITS THE FOLLOWING**

Rack part number	Crossreferences	Application
ATGE44051RB	MERCEDES A9074603802, A9074609801, A9074600504, A9074609804	Mercedes-Benz Sprinter 907, 910 (2018-)

More new products at <https://www.atg-components.com/warehouse-news>